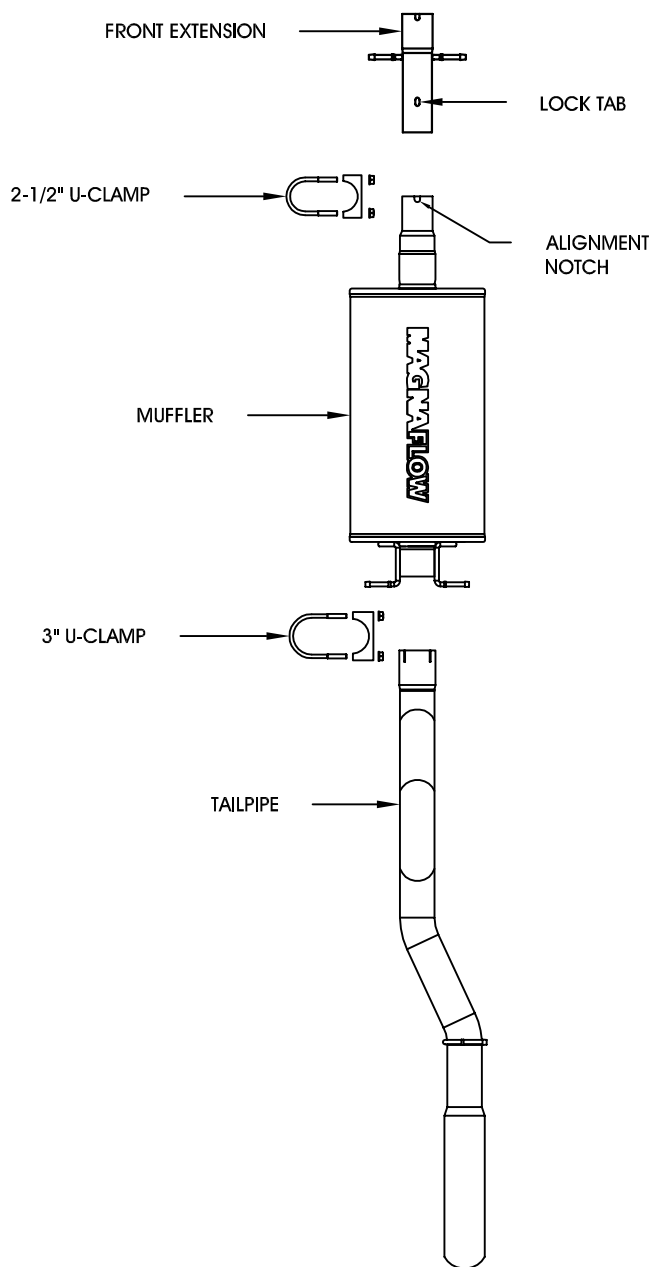


1998-2001 DODGE DURANGO - V8 4.7/5.2/5.9L



Warning: When working on under or around any vehicle exercise caution. Please allow the vehicle's exhaust system to cool before removal, as exhaust system temperatures may cause severe burns. If working without a lift, always consult vehicle manual for correct lifting specifications. Always wear safety glasses and ensure safe work area. Serious injury or death could occur if safety measures are not followed.

Step 1: (Carefully read all instructions before installation) Begin removal of the OEM exhaust system by unbolting the clamp where the tailpipe meets the muffler. Remove the tailpipe from the OEM rubber insulators. Be careful not to damage the OEM rubber insulators, as they will be re-used to mount the new system. Unbolt the clamp where the front extension pipe meets the catalytic converter extension and remove it from the OEM rubber insulators. Do not discard the OEM clamp assembly, as it will be re-used to mount the new system.

Step 2: Begin installation of the new system by sliding the inlet end of the front extension pipe over the catalytic converter extension and by fitting the welded hangers into the OEM rubber insulators. NOTE: 5.2L and 5.9L motors (15621) do not require the front extension pipe. Be sure to line up the alignment notch like the OEM system, or the other components will not mount correctly. Use the OEM clamp assembly to fasten the front extension pipe to the catalytic converter extension, leaving all fasteners loose for final adjustment. Slide the inlet end of the muffler over the outlet end of the front extension pipe and fasten it with the supplied 2-1/2" clamp. Slide the inlet end of the tailpipe over the outlet end of the muffler and fit the welded hangers into the OEM rubber insulators. Fasten the tailpipe to the muffler with the supplied 3" clamp.

Step 3: With all components mounted loosely, adjust the system for overall aesthetics and clearance of frame & bodywork. (MAGNAFLOW recommends at least 1/2" of clearance between the exhaust tip and any body panels to avoid heat related body damage or fire.)

Step 4: Once a final position is chosen for the new system, evenly tighten all fasteners from front to rear. Inspect all fasteners after 25-50 miles of operation and re-tighten if necessary.

*MAGNAFLOW Performance Exhaust recommends professional installation on all their products

Technical support: 1-800-959-9226 ext. 4500

MAGNAFLOW Performance Exhaust - 22961 Arroyo Vista - Rancho Santa Margarita, CA 92688