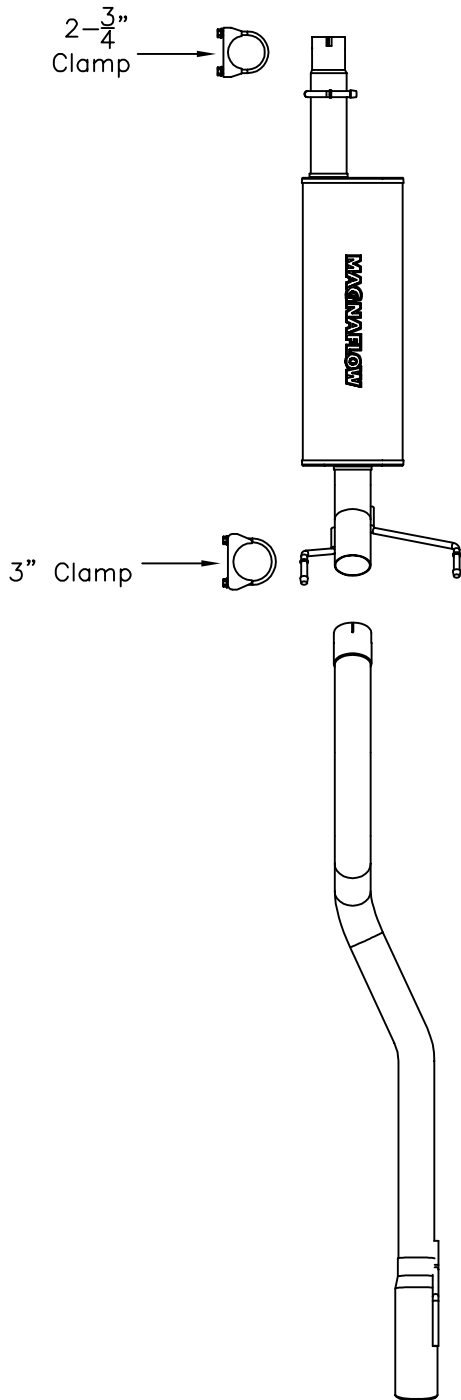


2004 Dodge Durango 5.7L Hemi



Warning: When working on, under, or around any vehicle exercise caution. Please allow the vehicle's exhaust system to cool before removal, as exhaust system temperatures may cause severe burns. If working without a lift, always consult vehicle manual for correct lifting specifications. Always wear safety glasses and ensure a safe work area. Serious injury or death could occur if safety measures are not followed.

Step 1: (Carefully read all instructions before installation)

Disconnect the vehicle's battery before the removal of the OEM exhaust. This will allow the computer to reset itself with the new system, and prevent electrical accidents. To remove the OEM exhaust system, you will need to disengage the welded hangers from the OEM rubber insulators (Do not damage the OEM rubber insulators as they will be re-used to mount the new system) and remove the system from the vehicle. You may need to use lubricant to aid in removal the OEM rubber insulators from the vehicle.

Step 2: Begin installation of the new muffler assembly by fitting the welded hangers into the OEM rubber insulators, and leave all clamps and fasteners loose for final adjustment of the complete system. Install the muffler assembly using the supplied 2.75" clamp. Install the hangers with the OEM rubber insulators. Fit the tailpipes to the muffler assembly using the supplied 3.00" clamps, then fit the hanger clamps into the rubber insulators.

Step 3: With all components mounted loosely, adjust the system for overall aesthetics and clearance of frame & bodywork. (MAGNAFLOW recommends at least 1/2" of clearance between the exhaust system and any body panels to prevent heat-related body damage or fire.)

Step 4: Once a final position has been chosen for the new system, evenly tighten all fasteners from front to rear. Inspect all fasteners after 25-50 miles of operation and retighten if necessary.

**MAGNAFLOW Performance Exhaust recommends professional installation on all their products*

Technical support: 1-800-959-9226 ext. 4500

MAGNAFLOW Performance Exhaust - 22961 Arroyo Vista - Rancho Santa Margarita, CA 92688