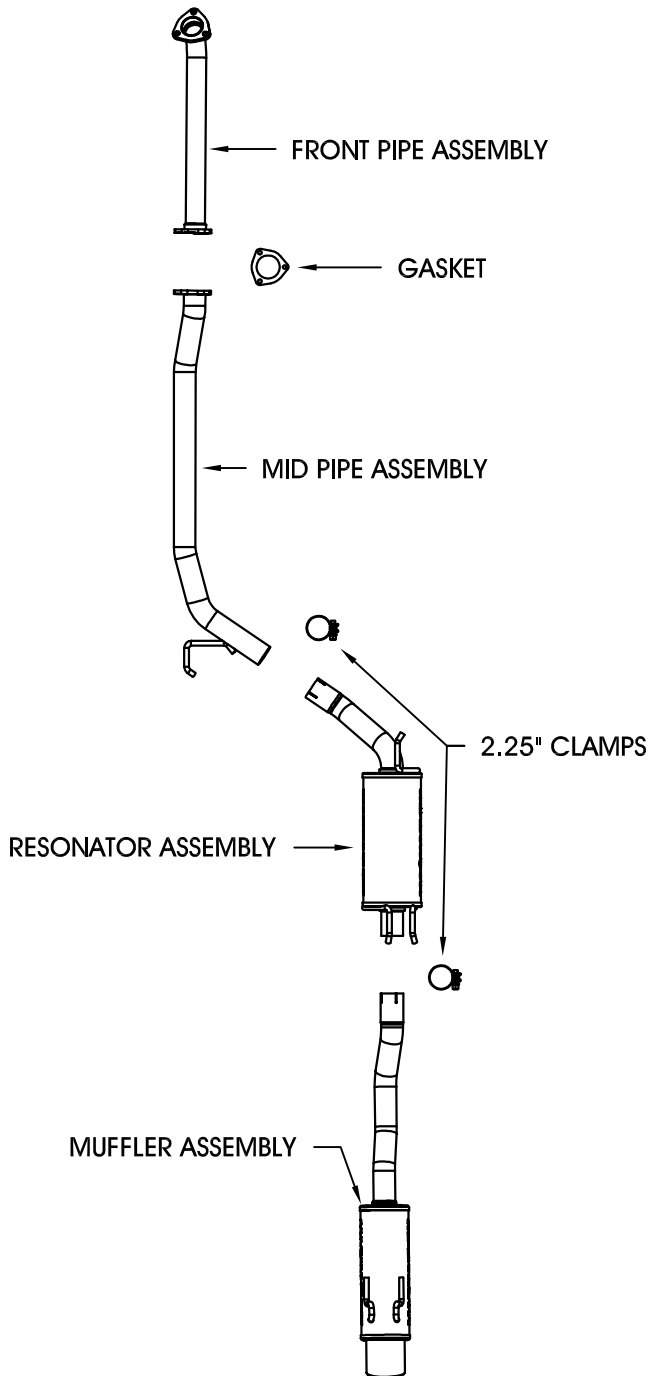


2006- HONDA CIVIC 1.8L



Warning: When working on, under, or around any vehicle exercise caution. Please allow the vehicle's exhaust system to cool before removal, as exhaust system temperatures may cause severe burns. If working without a lift, always consult vehicle manual for correct lifting specifications. Always wear safety glasses and ensure a safe work area. Serious injury or death could occur if safety measures are not followed.

Step 1: (Carefully read all instructions before installation) Disconnect the vehicle's battery before removal of the OEM exhaust. This will allow the computer to reset itself with the new system, and prevent electrical accidents. Begin by unbolting the muffler section of the exhaust at the 2-bolt flange. Do not discard the OEM fasteners or damage the OEM rubber insulators, as they will be reused to mount the new system. Disengage the rubber insulators and remove the assembly. Next unbolt the OEM resonator at the 3-bolt flange. Disengage the rubber insulators and remove the assembly.

Step 2: Begin installing the new system by bolting the front pipe assembly to the catalytic converter extension pipe using the OEM fasteners. Leave all clamps and fasteners loose for final adjustment of the complete system. Next attach the mid pipe assembly to the front pipe using the supplied fasteners and gasket, and fit the welded hanger into the rubber insulator. Connect the resonator assembly to the mid pipe using a supplied 2.25" band clamp and by engaging the hangers, as before. Install the muffler in a similar fashion.

Step 3: With all components mounted loosely, adjust the system for overall aesthetics and clearance of frame & bodywork. (MAGNAFLOW recommends at least 1/2" of clearance between the exhaust system and any body panels to prevent heat-related body damage or fire.)

Step 4: Once a final position has been chosen for the new system, evenly tighten all fasteners from front to rear. The supplied band clamps must be VERY tight to properly align the pipes and prevent leaks (Approximately 65ft-lbs). U-bolt clamps should be tightened to approximately 30-35ft-lbs. Inspect all fasteners after 25-50 miles of operation and retighten if necessary.

*MAGNAFLOW Performance Exhaust recommends professional installation on all their products

Technical support: 1-800-959-9226 ext. 4500