

NX EFI POWER BOOSTER INSTALLATION INSTRUCTIONS

EFI POWER BOOSTER COMPONENTS

<u>QTY</u>	<u>Part Number</u>	<u>Description</u>
1	11010	1 lb nitrous bottle w/decals
1	11032	Bottle mounting bracket
1	15000	6' 1/8" black nylon hose
1	17014	14 NX Jet
1	17016	16 NX Jet
1	17018	18 NX Jet
1	17020	20 NX Jet
1	15099L	Lightning Nitrous Solenoid
1	S16182	1/8 NPT X D-4 Swivel Female Solenoid fitting
1	15002	Push-to-connect 1/8 NPT X 1/8 tubing modified for NX Jet
1	16141	1/8 NPT plug
1	S15705D	DPDT-6 pole arming switch
10	17509	Zip ties
1	XXXX	Electrical Pack
6'	17513	Red wire
6'	17512	Black wire
2	15994	NX Decals

1.0 CAUTIONS

- When operating any power sport vehicle it is very important to wear all proper safety equipment. You can never have *too* much protection.
- It is the end user's responsibility to determine the suitability of this product for their particular vehicle.
- Nitrous Express, Inc. assumes absolutely no responsibility for damages resulting from: accident, improper installation or usage, abuse, improper operation, lack of reasonable care or the use of NX products in conjunction with other manufacturer's products.
- Nitrous Express, Inc. expressly states that this product is for off road usage only and assumes no responsibility whatsoever for any injury, damage or other known or unknown, or unforeseen consequences associated with the use of its products.
- It is the end user's responsibility to check State and Local laws regarding the use of nitrous oxide.
- Nitrous Express, Inc. does not encourage or condone the use of any of its products in any kind of illegal activities.

PAGE 1

2.0 WARRANTY

Nitrous Express, Inc. warrants to the original purchaser that all EFI POWER BOOSTER components shall be free from defects in parts and workmanship for a period of 90 days from the date of purchase.

Nitrous Express, Inc. obligations under this warranty are limited to the repair or replacement of any component found to be defective when returned, freight paid, to Nitrous Express, Inc. 5411 Seymour Highway, Wichita

Falls, TX 76310. Said defective part must be returned with proof of purchase, and date for the warranty to be in effect. No component will be warranted that has been, incorrectly installed, disassembled, damaged by usage, tampered with in any way, or damaged by abuse, misuse, negligence or accident.

3.0 GENERAL INSTALLATION INFORMATION

- The NX EFI POWER BOOSTER is intended for factory *electronically fuel injected* power sport vehicles only and not intended for on highway usage.
- This is a highly sophisticated system and should be installed by a competent technician with nitrous oxide experience.
- All wiring should be soldered for reliability and carefully routed to avoid any and all heat and abrasion sources.
- Mount the nitrous bottle as far away from all heat sources as possible. Under the seat is a good choice.
- The nitrous discharge hose must be mounted on the air inlet side of the filter; the nitrous must pass over the air inlet sensors to enrich the fuel mixture.
- It is best to tune the NX EFI POWER BOOSTER on a dyno. If this is not possible start with the smallest jet and check the spark plugs after a full power pass. Gradually work up to the desired power level being sure to check every spark plug after each power change. The porcelain portion of the spark plug should have a light tan appearance. There should be no signs of detonation, small black specks on the porcelain, or eroded ground straps.
- Use stock ignition timing and always use premium fuel. If more than a minimum horsepower boost is desired the use of racing fuel, and ignition retard may be required. A Power Commander or similar device may be required to further enrich the fuel curve to safely produce larger horsepower gains.
- On gear driven power sports vehicles, motorcycles, go-carts, ATV's, snowmobiles, an RPM "Window Switch", if available, is recommended to avoid low RPM engagement and or accidental Rev-Limiter engagement. Call your NX tech to see if one is available for your application. 1-877-NITROUS.

4.0 MOUNTING THE BOTTLE

- Using the supplied bottle bracket mount the nitrous bottle in a secure space as far away from heat and mechanical linkages as possible.
- The bottle's discharge valve should be facing the front of the vehicle and the nitrous outlet fitting must point downward so the nitrous siphon tube is immersed in liquid nitrous (Illustration A). If the bottle is mounted in any other position gaseous nitrous will enter the nitrous supply hose causing a significant power decrease.

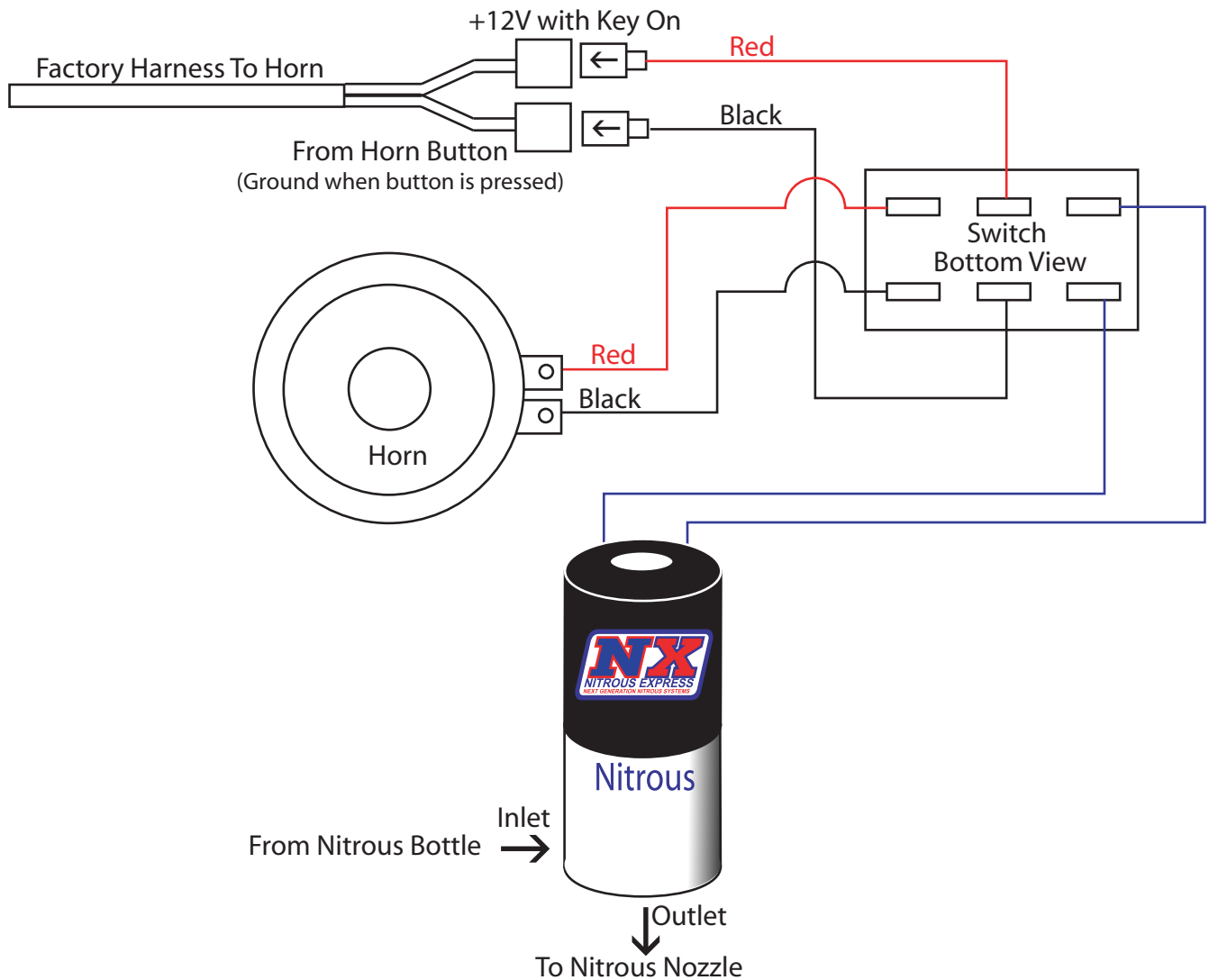
5.0 ROUTING THE NITROUS HOSE

- Place the #14 jet in the "Push-to-connect" fitting and thread it into the outlet port on the nitrous solenoid. Tighten snugly, but do not over tighten this fitting, as it must be removed each time a jet change is desired.
- The 1/8 nylon hose supplied with the system should be inserted into the "Push-to-connect" fitting on the nitrous solenoid. The line should be routed to the inlet of the air box or ram air snorkel. Insert the nitrous hose into either the existing water drain hole or by drilling a 1/8" hole into the snorkel or air inlet, a snug fit between the hose and entry hole will help secure the position of the nitrous hose. Now insert 3" of the black line aiming toward the air filter and secure the line with the supplied zip ties.
- Care should be taken not to route the line close to any heat source or mechanical linkages.

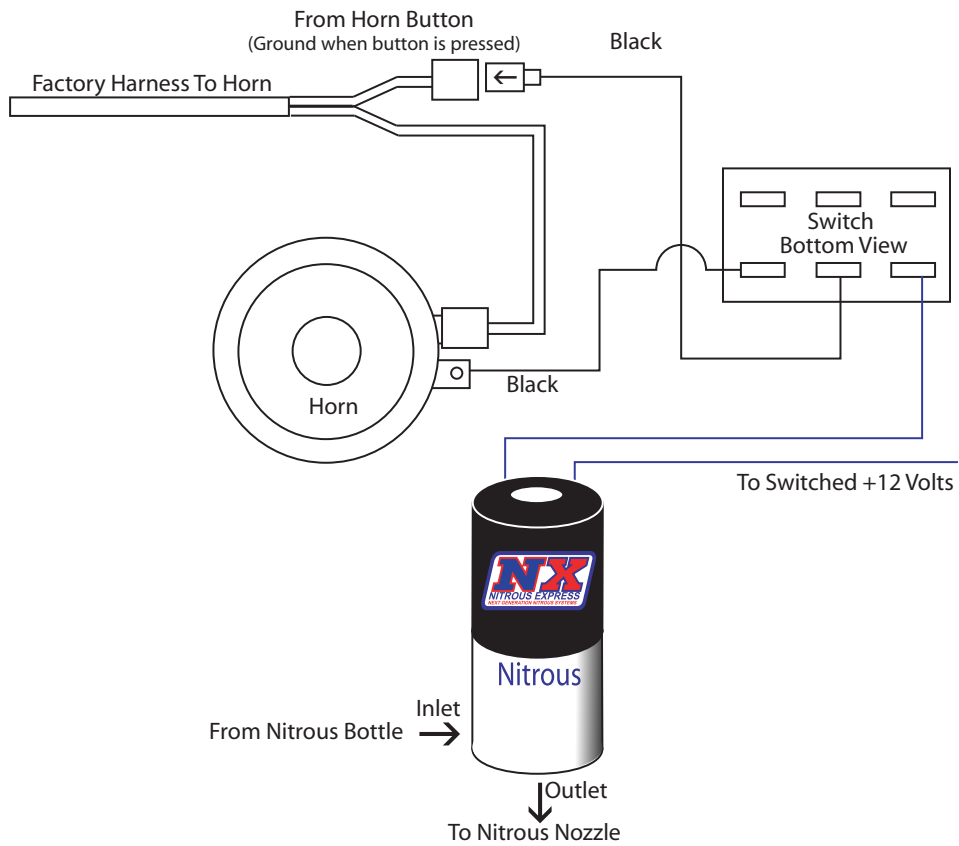
6.0 WIRING THE SYSTEM

Some models provide +12V when the Horn Button is Activated. When using wiring diagram #2 the solenoid wire polarity will need to be reversed if the horn button provides +12V

Wiring Diagram #1



Wiring Diagram #2



Wiring Diagram #3 Starter Button Activation for Suzuki Hayabusa

