

2007 CHEVY DUALY REAR MUD GUARD INSTALLATION INSTRUCTIONS

Please read instructions thoroughly before installation.

Tools Required

- 1/8" drill bit / Drill
- Center punch / Hammer
- Short Phillips screwdriver or drill attachment
- Torx T-27 bit and driver

Package Contents

- Driver & passenger side rear mud guard
- #10 screw (4)
- Washers (4)
- Instruction sheet

NOTE: It may be necessary to remove the wheels depending on the tools being used for installation.

1. Remove existing fasteners from location A and D (Figure 1).
2. Install mud guard to rear fender with existing fasteners at locations A and D (Figure 1). Check fit and parallel and adjust accordingly before tightening.
3. Using mud guard as a template, mark and drill 1/8" holes at locations B and C.
4. Install #10 screw and washer at locations B and C, thru mud guard and into fender (Figure 2).

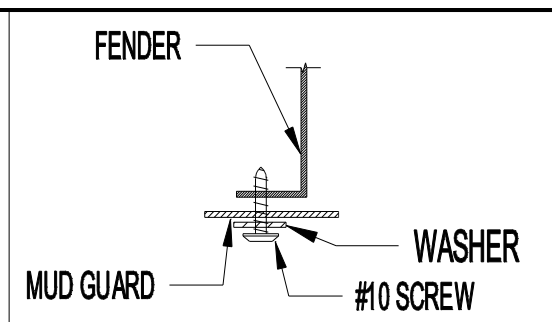


Figure 2

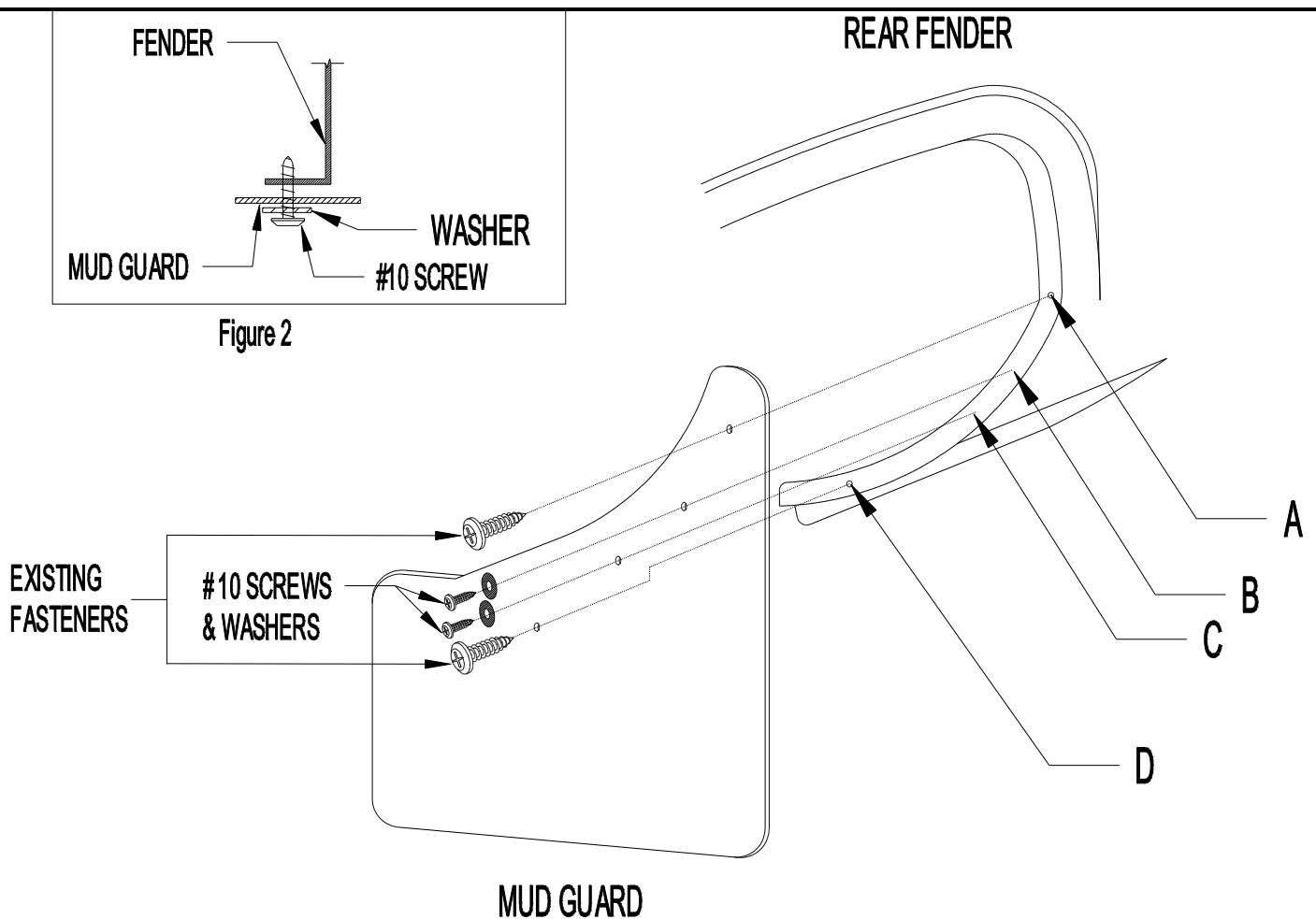


Figure 1

NEED A LOGO FOR YOUR NEW MUD GUARD? TRY AN INTERNET SEARCH FOR "EMBLEM" ON E-BAY, AMAZON OR YOUR FAVORITE AUTOMOTIVE SITE.