

## DODGE RAM WITHOUT FENDER FLARES - LOGO READY REAR MUD GUARD INSTALLATION INSTRUCTIONS

*Please read instructions thoroughly before installation.*

### Tools Required

- 1/8" drill bit / Drill
- Short Phillips screwdriver
- Marking utensil (fine tip marker, grease pencil, etc.)

### Package Contents

- Driver & Passenger Side Rear Mud Guards
- #10 SEM Screws (qty. 4)
- Small U-Clip (qty. 2)
- Medium U-Clip (qty. 2)
- Instruction Sheet

**NOTE: It may be necessary to remove the wheels before mud guard installation.**

1. Remove the existing fasteners from locations A and C (Figure 1).
2. Attach the mud guard at locations A and C with the existing fasteners. Check the mud guard fit and appearance before tightening.
3. Using the mud guard as a template, mark and drill 1/8" holes at locations B and D.
4. Install a Medium U-Clip over the sheet metal fender and align with the drilled hole at location B.
5. Install a #10 SEM Screw at location B.
6. Install a #10 SEM Screw at location D, thru the mud guard, the fender liner and into a Small U-Clip on the backside of the fender liner. NOTE: The Small U-Clip does not clip over the fender liner.

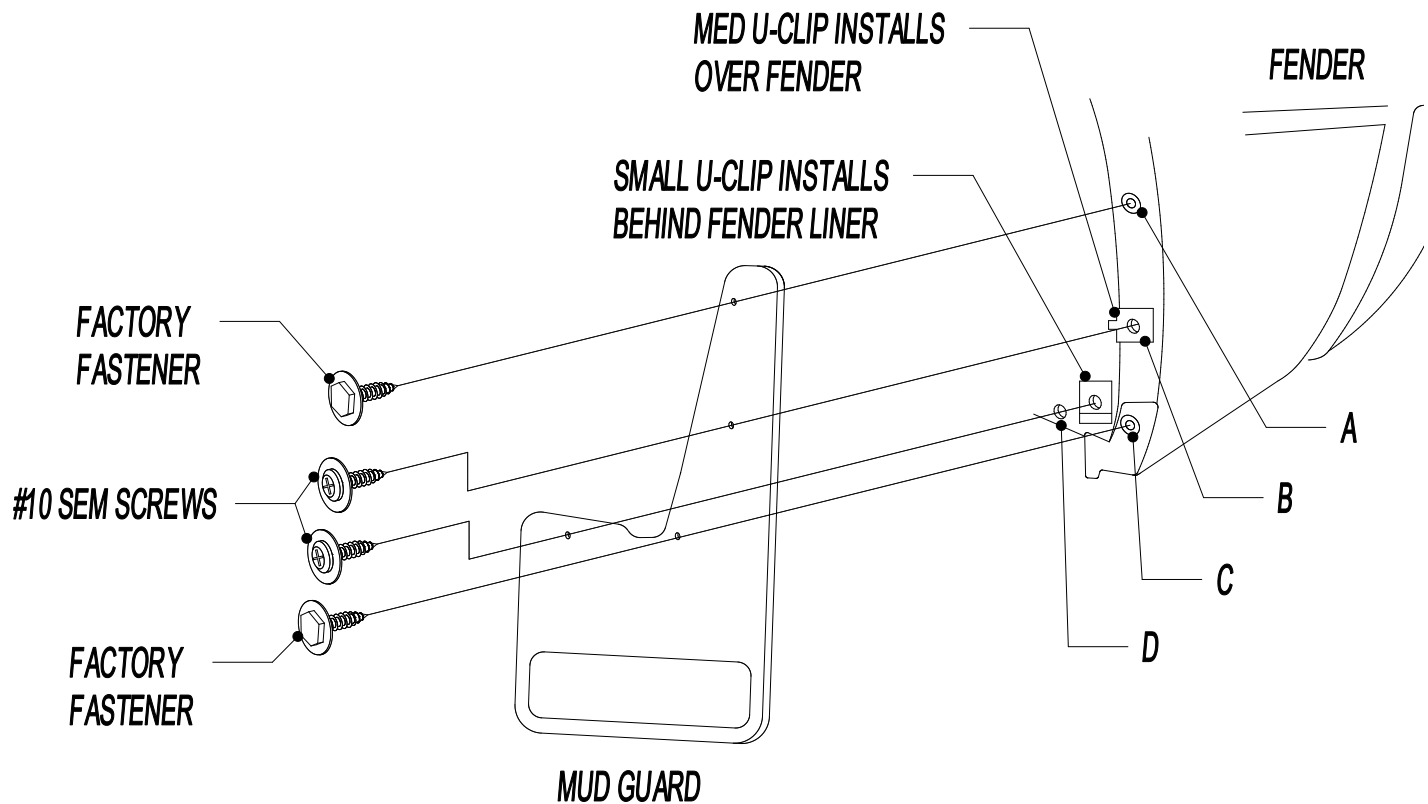


Figure 1

**NEED A LOGO FOR YOUR NEW MUD GUARD? TRY AN INTERNET SEARCH FOR "EMBLEM" ON E-BAY, AMAZON OR YOUR FAVORITE AUTOMOTIVE SITE.**