

FORD EXPLORER

FRONT MUD GUARD INSTALLATION INSTRUCTIONS

Please read instructions thoroughly before installation.

Tools Required

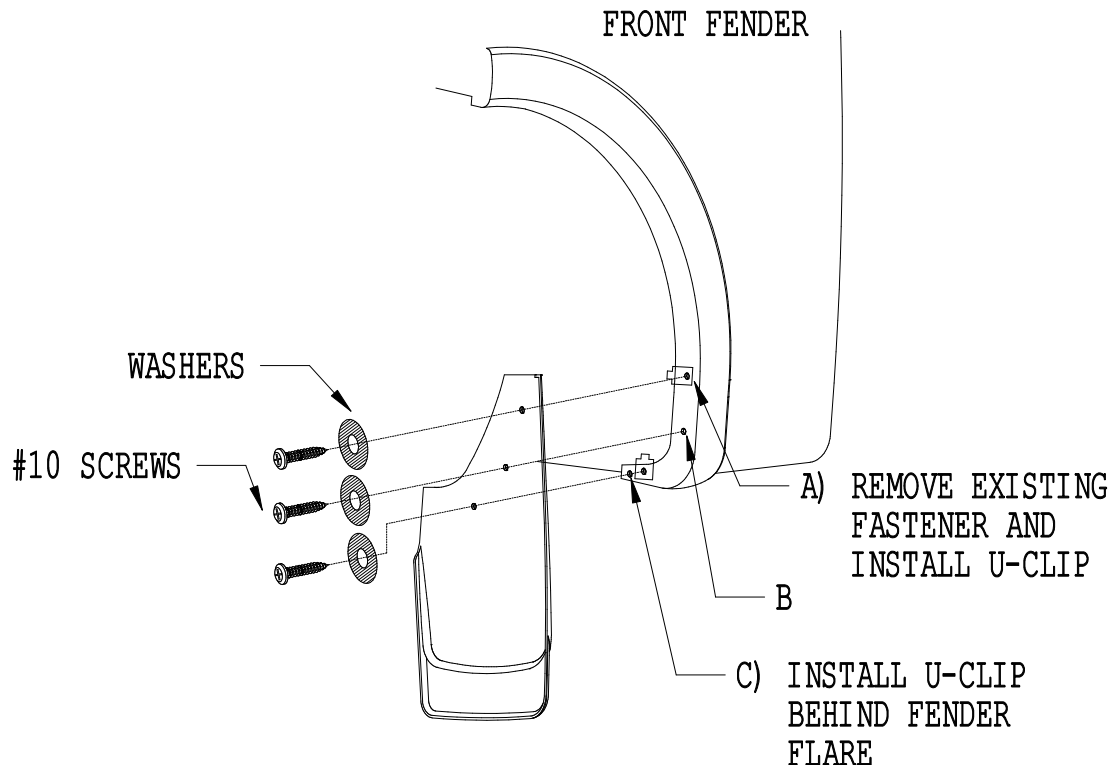
- 1/8" drill bit / Drill
- Short #2 Phillips screwdriver

Package Contents

- Driver & passenger side front mud guard
- #10 screw (qty. 6)
- Washers (qty. 6)
- U-clip (qty. 4)
- Instruction sheet

NOTE: Turn the front wheels all the way to the left or right for mud guard installation. However, it may be necessary to remove the wheels depending on the tools being used for installation.

1. Clean and degrease the mud guard location area on the fender before installation.
2. Remove existing fastener from location A and install a U-clip (Figure 1).
3. Attach mud guard to fender with a #10 screw and washer at location A, check fit and make sure mud guard is parallel to ground before tightening.
4. Using the mud guard as a template mark and drill 1/8" holes at locations B and C (Figure 1).
5. Install #10 screw and washer at location B.
6. Install #10 screw and washer at location C, thru mud guard, fender, and into a U-clip placed on the backside of fender flare. DO NOT install U-clip over fender flare or liner, U-clip is used as a nut.



PAINTING INSTRUCTIONS

1. Clean mud guard with a soap and water solution to remove dirt and other contaminants.
2. Sand painting surface with 320 grit sand paper.
3. Apply a coating of flexible primer-adhesion promoter.
4. Apply a flexible paint as directed by the paint manufacturer.