

HUSKY LINERS

97-01 FORD F-150 w/ FLARES REAR MUD GUARD INSTALLATION INSTRUCTIONS

Please read instructions thoroughly before installation.

Tools Required

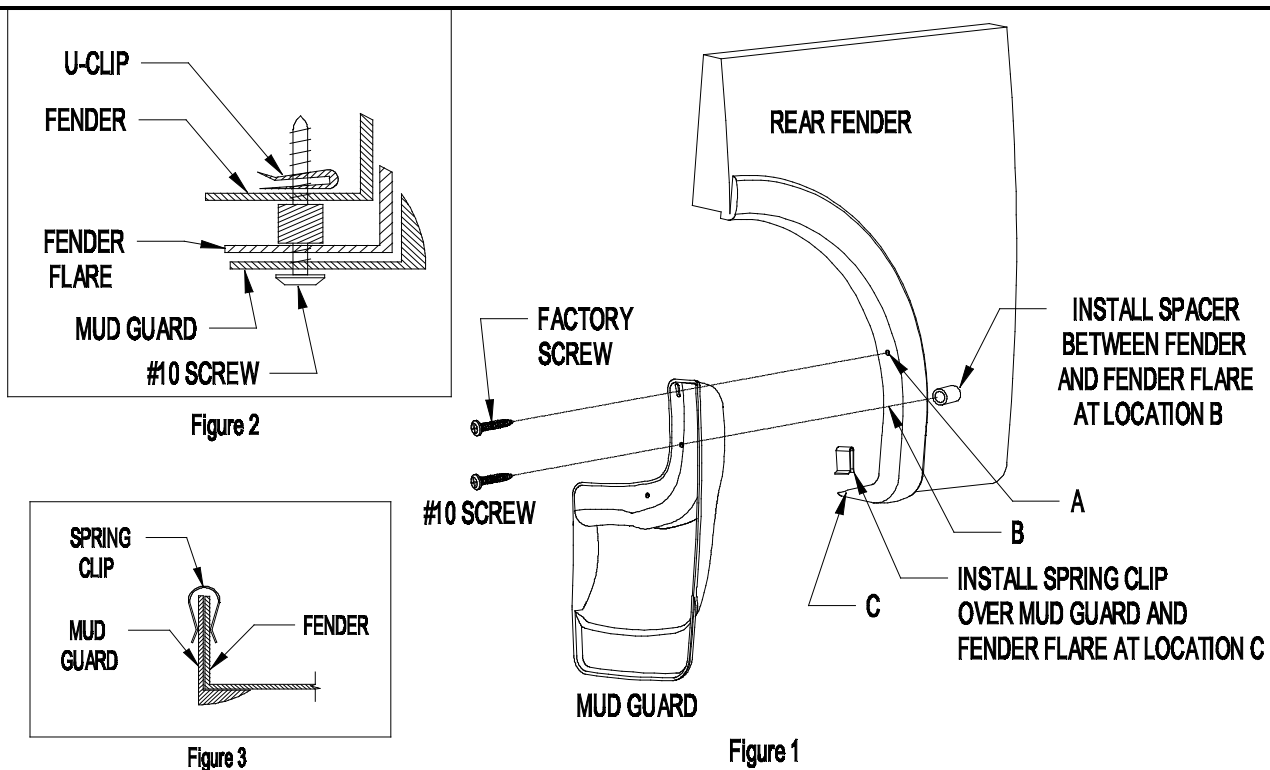
- 1/8" drill bit / Drill
- Short Phillips screwdriver
- Flat head screw driver
- Marking utensil (fine tip marker, grease pencil, etc.)

Package Contents

- Driver & passenger side rear mud guard
- #10 screw (qty. 2)
- Spacers (qty. 2)
- Spring clip (qty. 2)
- Instruction sheet

1. Clean and degrease the mud guard location area on the fender before installation.
2. Remove factory fastener from location A (Figure 1).
3. Attach mud guard to rear fender with the factory fastener at location A, check fit and alignment. Adjust accordingly before tightening.
4. Using the mud guard as a template, mark and drill 1/8" hole at location B into fender flare and fender.
5. Install spacer between the fender flare and the fender at locations B (Figure 2).
6. Install a #10 screw at location B, through fender flare, spacer, and fender and into a U-clip on the backside of the fender (Figure 2).
7. Install a spring clip over the fender flare and the mud guard at location C (Figures 1 & 3).

NOTE: Due to the tight fit of the spring clip it may be necessary to increase the spring clip panel opening by prying the open end of the spring clip apart with a flat head screw driver.



PAINTING INSTRUCTIONS

1. Clean mud guard with a soap and water solution to remove dirt and other contaminants.
2. Sand painting surface with 320 grit sand paper.
3. Apply a coating of flexible primer-adhesion promoter.
4. Apply a flexible paint as directed by the paint