

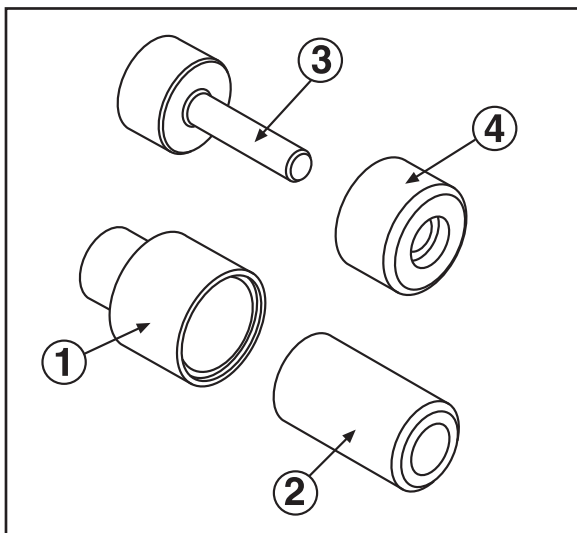
PART NO. 75980 **Instruction Sheet**

PRESS TOOL ADAPTER FOR #67465 HONDA REAR CAMBER KIT

This part should only be installed by personnel who have the necessary skill, training and tools to do the job correctly and safely. Incorrect installation can result in personal injury, vehicle damage and / or loss of vehicle control.

This tool is designed for use with the #7250 ball joint press or equivalent.

1. Press out stock inner bushing using #2 as the press sleeve and #1 as the receiver.
2. Slide the guide #3 onto the new bushing and place the bushing with the big end of the guide into the arm.
3. With the receiver #1 on one side press the bushing into the arm using the #4 press part until the bushing hits the shoulder stop on the receiver.



**Specialty
Products
Company**®

P.O. Box 923 • Longmont, CO 80502 • (303) 772-2103

www.specprod.com • www.spcperformance.com

Email: info@specprod.com

Printed in U.S.A.

Toll Free Technical Hot Line: 1-800-525-6505

©2006 Niwot Corp. dba Specialty Products Co.® • Form No. 98981 • Rev. 11/06