



**INSTRUCTIONS**

**#82240 Ford 1999-2004 F-Series Truck Nitrous System**

Thank you for choosing ZEX™ products; we are proud to be your manufacturer of choice. Please read this instruction sheet carefully before beginning installation and take a moment to review the included limited warranty information.



Description	Qty.	Description	Qty.
Nitrous Management Unit	1	.046 N20/ Fuel Jet	1
36" Hose, -3AN, purple	2	.054 N20/ Fuel Jet	1
4' Hose, -4AN, purple	1	Power Point Arming Switch	1
14' Hose, -4AN, purple	1	Wire Harness w/Arming Switch	1
Nitrous Nozzle	1	Aircraft Switch Cover	1
1/8 NPT Bulkhead Fitting w/ Nut	1	Red 18 GA. Wire	15 ft.
-4 AN to 1/16 NPT Fitting	1	White 18 GA. Wire	3 ft.
10lb. Nitrous Bottle w/Valve	1	5/16-18 X 1" Bolt for Bottle Brackets	4
Bottle Bracket (short)	1	5/16 - 18 Nut for Bottle Brackets	4
Bottle Bracket (long)	1	5/16 Flat Washer	4
.026 N20/Fuel Jet	1	#8 x 1/2, Sheet Metal Screw	6
.030 N20/ Fuel Jet	1	-4AN, 90 deg., Swivel Fitting	1
.034 N20/ Fuel Jet	1	1/8-27 NPT Tap	1
.040 N20/ Fuel Jet	1		



ZEX™  
 3418 Democrat Rd.  
 Memphis, TN 38118  
 Phone: 1-888-817-1008 Fax: (901) 375-3430  
 www.zex.com

Part #ZEX194  
 Revised 1/11/08

## **Why our nitrous system is better:**

- A complete Ford F-Series Truck, 2 valve modular V8 platform specific nitrous system. Everything is included in this kit for a safe, easy, plug and play installation.
- Adjustable from 75-125 horsepower. Safe enough for totally stock engines, but powerful enough for serious performance use.
- System is activated at wide open throttle with advanced electronics that monitor your throttle position sensor (TPS); easy and safe activation.
- Unique nozzle design has “Active Fuel Control™” built in. This feature monitors bottle pressure and when the nitrous system is engaged, it adds or subtracts enrichment fuel so the engine never runs too rich or too lean.

## **Read This Pre-installation Guide Before Installing Kit !!!!!!!**

**How the ZEX™ nitrous system works:** The ZEX™ Part #82240 nitrous oxide injection system begins with a connection to a supply cylinder containing pressurized liquid nitrous oxide and a connection to the engine’s fuel system. These connections go to the nitrous management unit, which houses the nitrous and fuel solenoids. These solenoids are normally closed but are opened when the TPS switch senses that the nitrous system is armed and the engine is at wide-open throttle. Once these solenoids open, the nitrous and fuel are delivered to the nitrous nozzle via flexible delivery lines. The amount of nitrous and fuel that is injected through the nozzle is adjustable by means of metering jets installed in the nozzle itself. These metering jets allow for easy changes in horsepower settings.

**Work safely.** Always wear eye protection and gloves when working with lines or hoses that contain pressurized nitrous oxide or fuel. Never transport nitrous cylinders loose in a trunk or the back of a pick-up truck and especially NOT within a vehicle's interior whether the cylinder is full OR empty. Always disconnect the GROUND side of the battery when working on any electrical components.

**Nitrous oxide won't fix problems you already have.** Before you install your nitrous system, be sure your engine is in good mechanical condition. Intermittent wiring problems, etc., can lead to erratic system performance and possible engine damage.

**Never defeat operation of the safety relief disc in the nitrous cylinder's valve.** It's required by law and is there for your safety. Never drill, machine, weld, deform, scratch, drop, or modify a nitrous oxide tank in ANY way whatsoever!

**Never overfill nitrous cylinders.** That little bit extra will put you and others at risk of injury. More often than not, when the cylinder warms up, the pressure goes above the limit of the safety relief disc and you lose all the nitrous you just paid for.

**All the power comes from the fuel, not the nitrous.** Nitrous oxide is simply a tool that allows you to adjust how much and how quickly the engine burns the fuel. If the fuel isn't there, the power won't be either.

**Avoid detonation at all times.** Nitrous enhanced detonation is much more damaging than detonation that occurs when naturally-aspirated due to the increased amount of fuel available for releasing energy and the fact that more oxygen is present.

**When system is activated, if something doesn't feel or sound right, BACK OFF.** If you hear any detonation or feel anything unusual, get off the throttle. It's a lot easier to check everything over than it is to just try to drive through it and damage expensive parts. Don't activate or have the system activated when you hit the stock rev

limiter. The stock rev limiter is a fuel cutoff. If you cut fuel while you're injecting nitrous, you're instantly very lean. This momentary lean condition has the potential of causing engine damage.

**Spark plugs and nitrous performance:** The factory spark plugs are not suitable for use with nitrous. They are designed with a particularly hot heat range and tend to cause a detonation condition after just a few seconds of nitrous use. The solution to the problem is to install spark plugs that have a colder heat range and proper ground strap design for nitrous use. ZEX™ has developed the ideal solution with nitrous specific spark plugs designed just for nitrous using, daily driven performance vehicles. The ZEX™ V8 Performance Spark Plugs (**Part# 82071-8 for a set of eight**) have a heat range that has been optimized for nitrous but continues to have clean firing performance for normal daily driving.

**Engine modifications:** If major engine modifications have been performed, a fuel pump upgrade will be required for safe nitrous system operation. Major engine modifications would include turbochargers, superchargers, aftermarket cylinder heads, head porting, camshafts, intake manifolds, etc. Failure to upgrade the fuel system when using nitrous in these highly modified applications may cause serious lean conditions that can result in severe engine damage.

**Do not use Teflon sealing tape on any fittings in a ZEX™ nitrous system.** It is easy for Teflon tape to get pulled into the system, causing blockages that can ultimately lead to incorrect nitrous system performance and potentially, engine damage. Only use liquid thread sealer for all NPT type fittings. Do not use any thread sealing compound on AN style threads.

**Do not attempt to start your engine if nitrous has been accidentally injected into the engine while it was not running.** If this occurs, disable all of the ignition coils by unplugging the leads going to them. Push the accelerator pedal to wide open throttle and hold it there, push the clutch in, and with the throttle wide open, engage the starter and turn over the engine for several seconds to clear the nitrous from the engine. Failure to do this before attempting to restart the engine can lead to a dangerous intake system backfire.

**Do not engage your nitrous system below 2500 rpm.** This ensures that you will not have excessive cylinder pressures that could cause engine damage. The ZEX™ Traction Control Window Switch (**Part #82085**) is ideal for controlling the rpm range that your nitrous system operates in.

**When finished using your nitrous system, close the nitrous bottle valve and relieve the line pressure.** This eliminates the possibility that nitrous could inadvertently accumulate in the intake manifold while the nitrous system is not being used.

**Do not run excessive bottle pressures.** Excessive bottle pressures, over 1100psi, are dangerous to your engine. Your ZEX™ nitrous system is calibrated and optimized to operate from 900-1000psi. Exceeding this will not improve performance. Over 1100psi also runs the danger of locking the nitrous solenoid closed due to excessive pressure working against the valve's plunger. If this happens, you must cool the nitrous bottle down to lower the pressure. This will allow the valve to operate properly again.

**Start with the lowest horsepower setting and work your way up.** This ensures if you have any tuning issues to work out on your vehicle, they will get sorted out with a smaller shot of nitrous that will be less likely to damage your engine. Once you have the car working well on the smaller shot, you can then safely start to step up your nitrous kit horsepower.

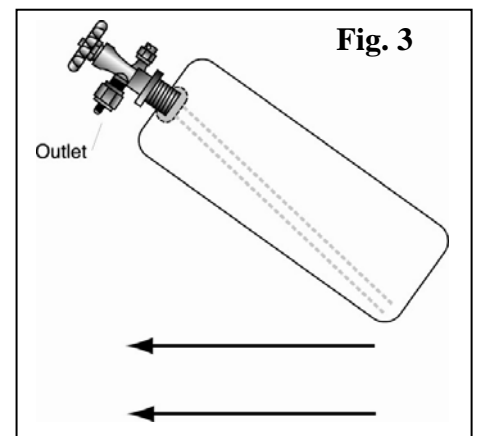
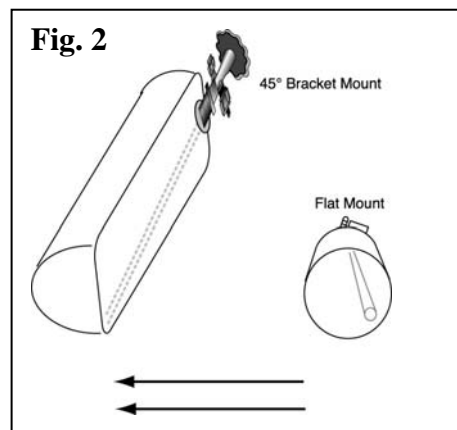
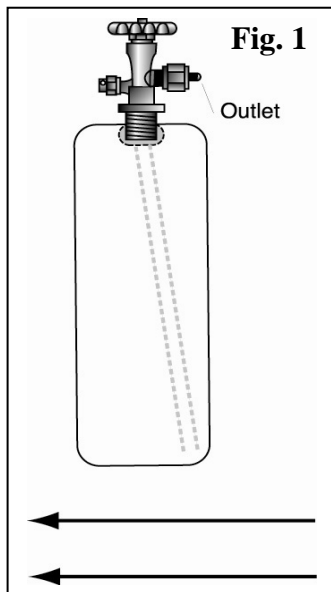
**Make sure your vehicle has an adequate fuel supply.** Nitrous systems put a large demand on your vehicle's fuel system. Make sure you have a large enough fuel pump to handle the demands of your engine, as well as the nitrous system.

**How to adjust power levels:** The ZEX™ nitrous system is designed for multiple power levels. Metering jets installed in the nitrous nozzle control these power levels. To change the power output, all you need to do is install the appropriate set of jets. The correct combination of jets is listed on the tune-up sheet on the back of this instruction manual.

**Engine computer modifications:** Do not use the nitrous system if a non-nitrous custom tune has been programmed into your engine's computer. Custom computer tunes generally advance the ignition timing to optimize non-nitrous horsepower. If nitrous is injected while these non-nitrous tunes are loaded into your engine's computer, detonation will occur and this can lead to severe engine damage. It is important to only use computer tunes that have been specifically programmed for nitrous use. Specific tunes for nitrous should have the ignition timing reduced, per the tune-up chart at the end of this instruction manual. It is generally recommended that you retard the ignition timing around 2 degrees for every 50 hp worth of nitrous used, based on an optimized ignition curve for your engine.

## Installation Instructions

- 1. Decide where to put everything.** Before you start to install the various components of this kit, you'll have to locate the best locations of each component by trial fitment and careful measurement. First, decide where you want to mount the nitrous management unit. Remember, the stainless steel braided lines that connect the NMU to the nitrous nozzle are 36 inches long. Next, observe and mark the location on the air inlet ducting where you would like to put the nitrous nozzle; this must be located between the MAF (mass airflow sensor) and the throttle body. The arming switch should be installed in a position convenient to the driver, but not in an area where it could be accidentally armed. Next, decide where and how you'll mount the nitrous supply bottle, check Fig. 1, 2 and 3 for technical restrictions on bottle mounting locations and positions. Finally, have a reputable performance shop fill your nitrous bottle with automotive grade nitrous oxide before you begin. Do not overfill the nitrous bottle.

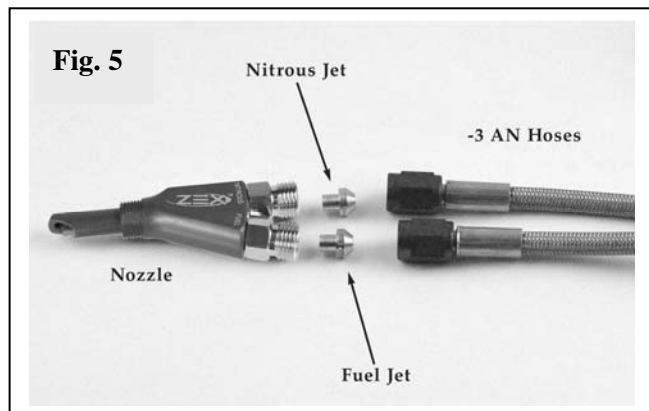
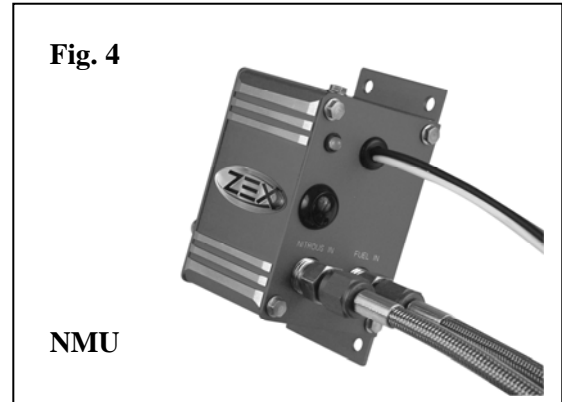


## **2. Mount nitrous supply bottle.**

- A. Mount the nitrous supply bottle with the outlet facing down.** You may want to consider installing a safety blow-down tube (ZEX™ Part #82099) if the bottle is going to be mounted in the cab of the truck. If you will be racing your truck, most racetracks will also require one. Route the tube from

the safety pressure relief cap to the exterior of the truck, preferably under the vehicle. Doing so will prevent your truck interior from filling with a cloud of nitrous oxide should the safety pressure relief cap rupture.

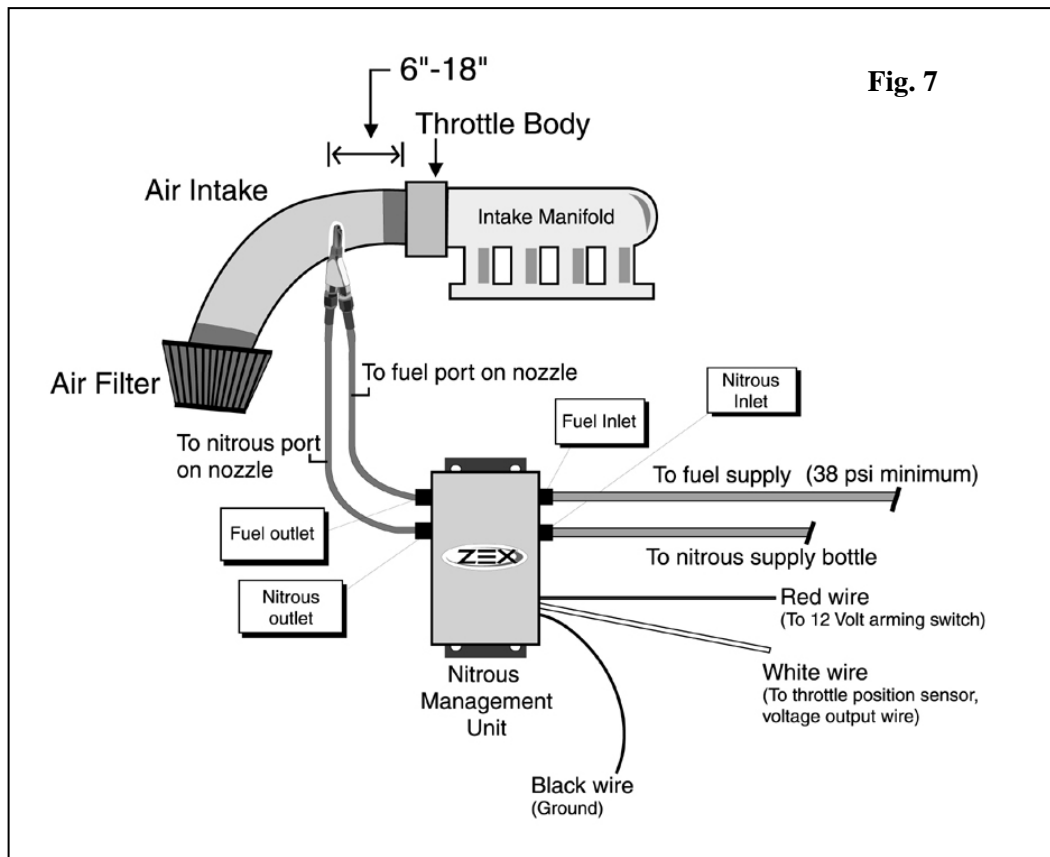
- B. Index the pickup tube with bottle position, refer to fig. 1, 2, and 3. ZEX™ nitrous bottles are designed with the bottom of the siphon tube at the bottom of the bottle towards the outlet. Always mount the bottle so that as the truck accelerates, the liquid flows toward the pickup tube.
3. **Mount nitrous delivery line under the truck.** When routing the nitrous delivery line under the truck, try to use the subframe as a conduit. This protects the line and eliminates the need to use clamps. The supplied cable ties work if you can run the line higher in the under-body so that it's safe from road level obstacles, etc. For the pro-race look, you can use steel loom clamps with rubber sheathing to fasten the line to the body.
4. **Mount Nitrous Management Unit.** Keeping in mind the length restrictions of the nitrous nozzle feed lines, mount the Nitrous Management Unit (Fig.4) in a suitable location. It's a pretty rugged piece of equipment that is built to withstand underhood temperatures as well as exposure to weather. Connect the nitrous delivery line to the Nitrous Management Unit.
5. **Install nitrous nozzle.** Optimum nozzle placement is between the MAF (mass airflow sensor) and the throttle body. Do not install the nitrous nozzle in front of the MAF! Refer to Fig. 7 for the ideal nozzle location. After you have determined where to mount the nitrous nozzle, make sure this location won't interfere with other components. After you've found the spot, mark it and remove the air inlet duct from your engine. Drill a 9/16 inch mounting hole and install the bulk head fitting. Be sure to remove any drill shavings since they can severely damage



your engine. Install the nitrous nozzle so that the spray is in the direction of airflow. We've enclosed a tap (Fig. 6) should you need to mount the nozzle in a metal duct. Just drill a 11/32 inch hole where you want to mount the nozzle, tap the hole and install the nozzle. Once the nozzle is installed, place the appropriate tuning jets in the nozzle and attach the 3-foot long, -3AN hoses to the nozzle jet fittings and the nitrous management unit (Fig.5).

## 6. Wire it.

- A. We have provided two different options for installing the arming switch. The first method is our preassembled wiring harness that includes the toggle switch. This will require locating a power source under the dash that can handle the 10AMP current draw from the solenoids and drilling a hole for the arming switch. The other option we have provided in this kit is the ultimate in convenience. The Power Point Arming Switch simply plugs into the power point or cigarette lighter socket and has an LED toggle switch made into the end of this plug that serves as the arming switch
- B. If using the standard wire harness, find a suitable place in the interior of the vehicle for the arming switch and drill a 1/2 inch (.500) hole. Mount the switch and switch cover through this hole. Take the lead that the fuse assembly is attached to and find a suitable 12 volt accessory source of power under the dash. Remember to locate a power source that is capable of supplying at least 10 amps to the nitrous system. Use the T-tap electrical connector to splice into the 12 volt accessory wire and plug in the wire harness lead. Take the other lead from the arming switch and connect it to the red wire from the Nitrous Management Unit. As a reference for wire locations, use Fig. 7.
- C. If using the Power Point Arming Switch, simply run the power wire through the firewall and connect the positive wire from the Power Point Arming Switch to the red wire coming from the Nitrous Management Unit. As a reference for wire locations, use Fig. 7.



- D. Take the black wire that comes from the Nitrous Management Unit and attach it to a suitable chassis ground. Remember to remove any paint at the attachment point to ensure a good ground.
- E. Take the white wire from the NMU and connect it to the Throttle Position Sensor output voltage wire. If the white wire from the nitrous management unit will not reach your truck's TPS sensor, an

additional 3ft. roll of 18 GA. white wire has been included in the kit for your wiring needs. The correct TPS wire will have around .5 volts when the throttle blade is closed and around 4.5 volts when the throttle is opened fully. These are not exact voltage numbers, but simply give you an idea of the proper voltage you should be seeing. Use the supplied red T-tap connector and tap into the voltage output wire. Attach the red crimp-on blade connector to the white wire from the Nitrous Management Unit and plug this wire into the T-tap.

- 7. Program activation switch.** Now that you have completed the wiring of your nitrous system, the next step is to program the Activation Switch. To program the Activation Switch, turn the vehicle's ignition on, but do not start the engine. Turn the nitrous arming switch to the "ON" position. Go to the Nitrous Management Unit (NMU) and locate the push-button switch. Depress, then release, the push-button switch. Observe the NMU's Operation Light. At this point, it should be RED. This RED light informs you that the NMU's Activation Switch is in learn mode. Return to the driver's seat and depress the accelerator pedal to the floor, holding it there for ten seconds. Release the accelerator pedal and go back to the NMU and observe the Operation Light. At this point, the light should be flashing continuously from RED to GREEN to OFF. This is the NMU's way of telling you that it has successfully learned the voltage curve of your engine's throttle position sensor. Go back to the driver's compartment and turn off the system's arming switch, then turn it back on. Go back to the NMU and observe the Operation Light. It should be solid GREEN at this point. This informs you that the system is armed and ready to activate at wide-open throttle. Return to the driver's seat and depress and release the accelerator pedal several times. You should hear the solenoids click each time you reach wide-open throttle. At this point, your Activation Switch is fully programmed and ready for use. If you ever transfer your nitrous system to another vehicle, perform this same procedure on the new vehicle to "relearn" the NMU's Activation Switch.

**8. Install fuel delivery line.**

**WARNING!! The factory fuel system maintains fuel system pressure, even when the vehicle has been shut off.**

A. Locate the factory fuel pressure test port. It is a schrader valve fitting, screwed into the fuel rail of your engine. Wrap a rag around the valve and depress the center plunger. This will slowly relieve the line pressure; let the fuel that is escaping soak into the rag. Once the truck's fuel system has been depressurized, remove the schrader valve and replace it with the included -4AN to 1/16NPT fuel fitting.

B. Attach the 4 ft. -4AN fuel line to the -4AN fuel fitting. It is important to use a backing wrench on the fuel fitting while tightening the hose assembly nut. The thin factory sheet metal fuel rail can easily be damaged if you attempt to tighten the hose without a backing wrench. Attach the other end of the fuel delivery hose to the Nitrous Management Unit fuel inlet fitting.

**9. Check fuel and nitrous pressure lines.**

- A. Perform a final inspection of all plumbing and electrical connections to ensure that they are correct.
- B. Ensure that the nitrous bottle is turned off and the line pressure is relieved.
- C. Start the engine and observe all fuel connections for any leaks. Fix any fuel leaks before proceeding.
- D. Turn off the engine.
- E. Open the nitrous bottle valve. Listen carefully for any leaks as your valve is opened. Leaks in the nitrous supply line will be obvious because they will be covered in frost.
- F. If everything checks out, close the nitrous bottle and relieve the line pressure.

- 10. Check fuel quality, spark plugs and ignition timing.** The last thing to do before enjoying your new nitrous system is to ensure that premium fuel (92 R/M Octane or better) is in the fuel tank and that you

have installed spark plugs that are 1-2 steps colder in heat range. An ideal spark plug for this application is the ZEX part #82071-8 spark plug set. These plugs are specifically designed for Ford's 2 valve modular V8 engines using nitrous. Finally, remember to verify your ignition timing is programmed correctly. All recommended ignition timing retard amounts, in the Tune-Up Specs, are calculated off of the base, stock ignition table. It is not recommended to go above 75hp without an ECU reprogram, designed for nitrous. If the correct ignition timing program is not used for the higher horsepower settings, severe engine damage may occur from detonation.

### ZEX™ #82240 Nitrous System Tune-Up Specs

	75 hp	100 hp	125 hp
<b>Nitrous Jet (950psi)</b>	40	46	54
<b>Fuel Jet (40psi)</b>	26	30	34
<b>Ignition Retard (deg.)</b>	0	2	4

#### Limited Warranty

- ZEX™ warrants that all of its products are free from defects in material and workmanship, and against excessive wear for a period of (1) one year from the date of purchase. This **limited warranty** shall cover the original purchaser.
- **ZEX's obligation under this warranty is limited to the repair or replacement of its product.** To make a warranty claim, the part must be returned within (1) one year of purchase to the address listed below, freight prepaid. Items covered under warranty will be returned to you freight collect.
- **It is the responsibility of the installer to ensure that all of the components are correct before installation. We assume no liability for any errors made in tolerances, component selection, or installation.**
- **There is absolutely no warranty on the following:**
  - A) Any parts used in racing applications;
  - B) Any product that has been physically altered, improperly installed or maintained;
  - C) Any product used in improper applications, abused, or not used in conjunction with the proper parts.
- **There are no implied warranties of merchantability or fitness for a particular purpose.** There are no warranties, which extend beyond the description of the face hereof. ZEX™ will not be responsible for incidental and consequential damages, property damage or personal injury damages to the extent permitted by law. Where required by law, implied warranties or merchantability and fitness are limited for a term of (1) one year from the date of original purchase.
- This warranty gives you specific legal rights and you may also have other legal rights, which vary from state to state.